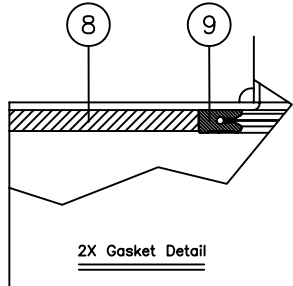
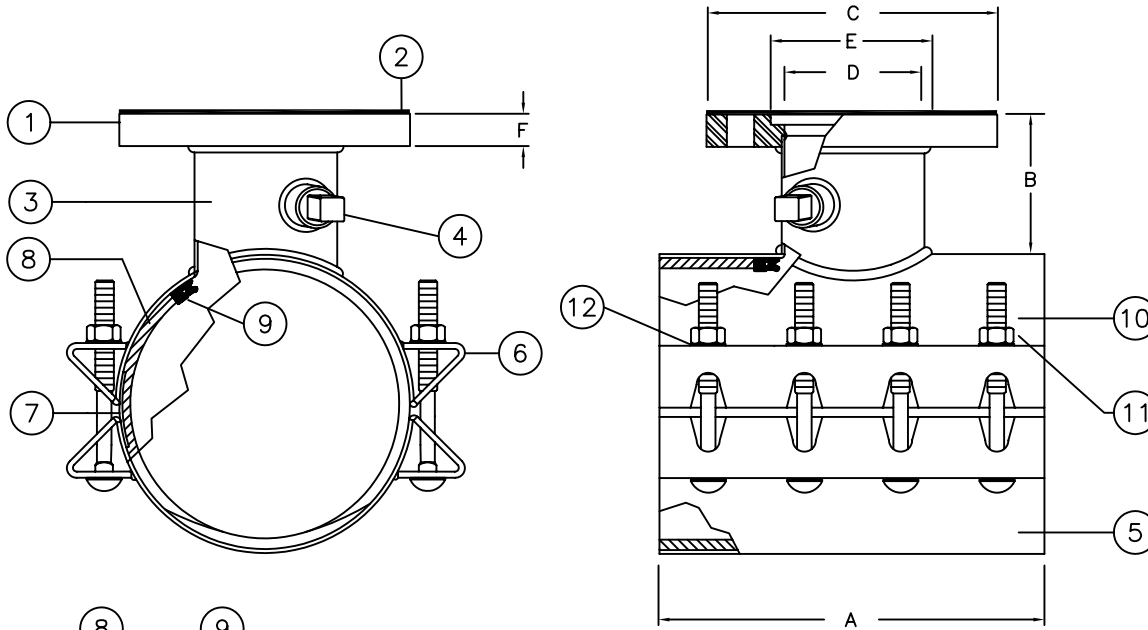


# Reference: 3490 AS Tapping Sleeve



NOMINAL PIPE SIZE	FLANGE SIZE	DIMENSIONS					
		A	B	C	D	E	F
4" Thru 14"	2	12	3	2 3/32	6	3 1/64	1/2
	3	12	4 1/2	7 11/16	3 25/64	3 31/32	5/8
	4	16	5 1/2	9 3/16	4 13/32	5 59/64	3/4
	6	16	5 7/8	11	6 11/32	7 29/32	7/8
	8	20	6 3/16	13 3/4	8 1/2	10 11/64	1"
	10	24	6 39/64	15 1/2	10 3/8	12 15/64	1"
	12	32	6 3/4	17 7/8	12 1/4	14 1/4	1"
	12	32	6 39/64	2 3/32	6	3 1/64	1/2
16" Thru 24"	3	12	4 1/2	7 11/16	3 25/64	3 31/32	5/8
	4	16	5 1/2	9 3/16	4 13/32	5 59/64	3/4
	6	16	5 7/8	11	6 11/32	7 29/32	7/8
	8	20	6 3/16	13 3/4	8 1/2	10 11/64	1"
	10	24	6 39/64	15 1/2	10 3/8	12 15/64	1"
	12	30	6 3/4	17 7/8	12 1/4	14 1/4	1"
	14	32	6 1/2	12 1/2	14 1/2	13 1/64	1 1/4
	16	36	8 3/16	22 1/2	16 1/2	18 1/2	1 5/16
	18	40	8 3/8	25 1/2	18 1/2	20 1/64	1 3/8
	20	46	8 3/8	27	20 1/2	22 11/16	1 7/16
	24	46	8 3/8	31 1/2	24 1/2	26 7/8	1 1/2

ASSEMBLY BILL OF MATERIALS				
ITEM	QTY	PART NAME	MATERIAL	MAT. SPEC.
1	1	Flange	304 Stainless Steel	AWWA C115
2	1	Face Gasket	Styrene Butadiene Rubber	AWWA C115AP
3	1	Branch	304 Stainless Steel	ASTM A240
4	1	Test Plug	304 Stainless Steel	ANSI B2.1
5	2	Shell	304 Stainless Steel	ASTM A240
6	4	Bolt Lug	304 Stainless Steel	ASTM A240
7	2	Armor Plate	304 Stainless Steel	ASTM A240
8	*	Shell Gasket	SBR	ASTM D2000
9	1	Branch Gasket	Nytrile (NBR)	ASTM D2240
10	*	Bolt	304 Stainless Steel	ASTM A193
11	*	Coated Nut	304 Stainless Steel	ASTM A194
12	*	Washer	304 Stainless Steel	ANSI B18.22.1

\* See legend below for quantities.

Note: The shell gasket is our patented Check-O-Seal design, and the branch gasket is our Hydro Twinseal Dual O-Ring design incorporating both hydrostatic and mechanical forces to affect a dynamic seal.

## Bolt Quantities for 3490

PIPE SIZE	OUTLET SIZE										BOLT SIZE	
	2	3	4	6	8	10	12	16	18	20		24
2"-10"	8	8	10	10	12	16						5/8" x 7"
12"	8	8	10	10	12	16	20					5/8" x 7"
14"-16"	8	8	10	10	12	16	20					5/8" x 7"
14"-16"								24				3/4" x 9"
18"-24"	8	8	10	10	12	16	20	24	28	30		3/4" x 9"
24"										30		1" x 9"
30"	12	12	15	15	18	24	30					3/4" x 9"
30"								36	42	30	30	1" x 9"

WORKING PRESSURES  
 2" - 8" Outlet: 200 PSI  
 Larger Outlets: 150 PSI  
 Test Pressure is 1-1/2 times working pressure

PowerSeal		P.O. Box 2014 Wichita Falls, Texas	
TITLE 3490AS Tapping Sleeve			
SIZE B	DRAFTSMAN PAM	APPROVAL 06/19/06	DRAWING NO. 3490SUBM
SCALE NTS	RELEASED	SHEET 1	OF 1

THIS DRAWING AND ALL INFORMATION THEREON IS THE PROPERTY OF PAM, LTD. AND SHALL NOT BE USED, COPIED, OR REPRODUCED WITHOUT WRITTEN CONSENT. ALL DESIGN AND INVENTION RIGHTS ARE RESERVED.